

### 户外用互感器

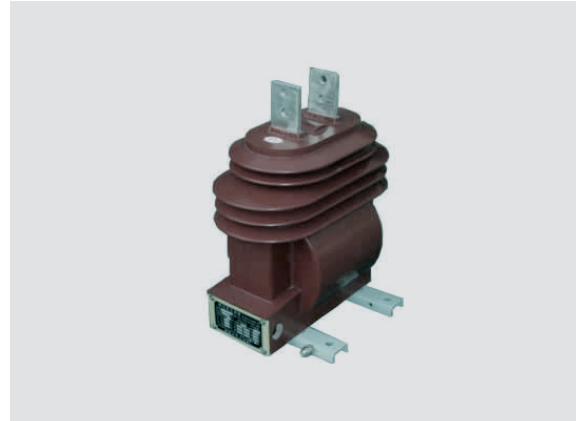
6-35kV

户外 单相 环氧树脂浇注式

OUTDOORS SINGLE-PHASE EPOXY RESIN CASTING TYPE

#### 技术参数 Technical data

- 产品性能符合标准：GB/T20840.1、2 和 IEC61869-1、2  
The current transformers are in accordance with GB/T20840.1、2 and IEC61869-1、2 standards
- 额定绝缘水平：12/42/75kV      ○ 额定二次电流：5A 或 1A  
Rated insulation level 12/42/75kV      Rated secondary current 5A or 1A
- 额定频率：50Hz 或 60Hz      ○ 环境温度：-25℃ ~+40℃  
Rated frequency 50Hz or 60Hz      Ambient temperature -25℃ ~+40℃
- 污秽等级：II 级  
Pollution class: class II

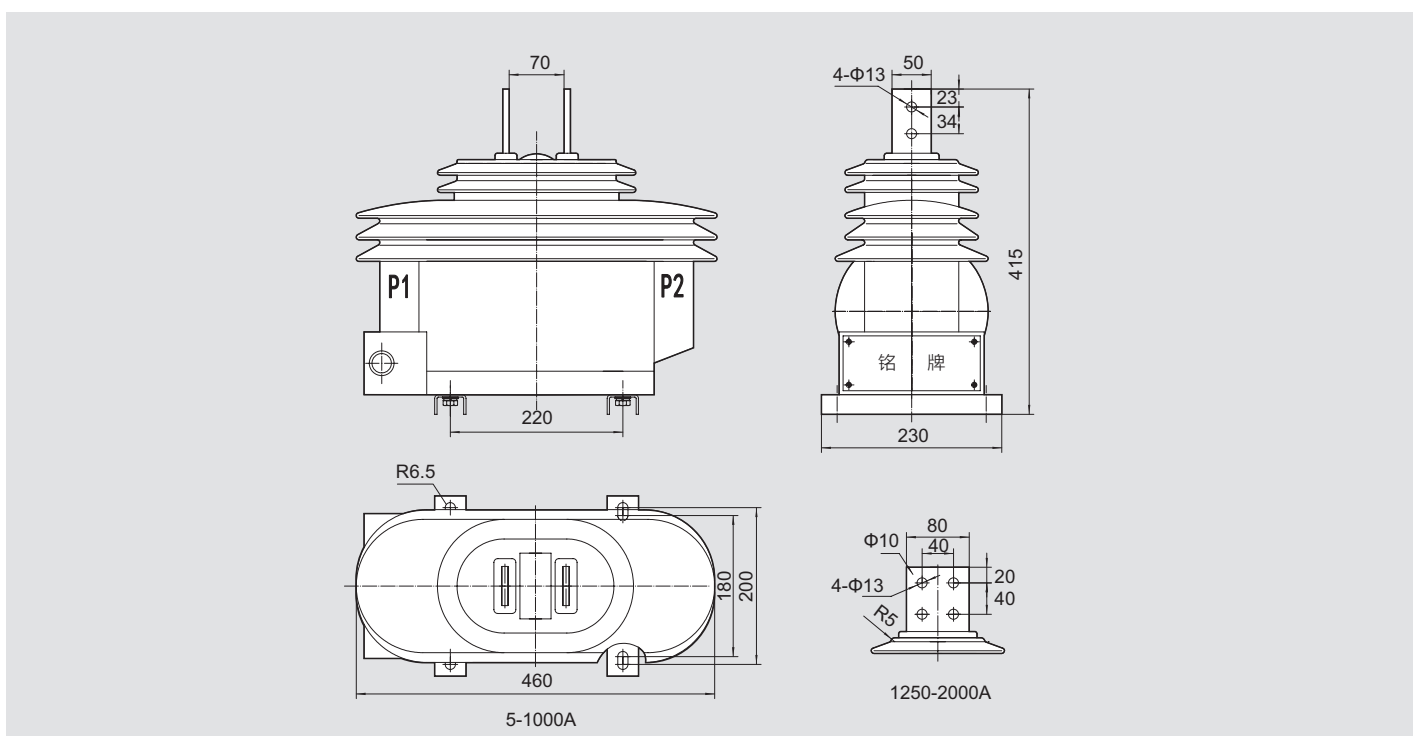


额定一次电流 (A) Rated primary current	短时热电流 (kA/S) Short-time thermal current	额定动稳定电流 (kA) Rated dynamic current	准确级组合 Class combination	准确级及额定输出 (VA) COS φ =0.8 Accuracy class and rated output					表面爬电距离 (mm) Surface creepage distance	重量 (kg) Weight
				0.2 (S) 0.5S	0.5	5P10	5P15	5P20		
40-150	$150 I_n \times 10^{-3}$	$375 I_n \times 10^{-3}$	0.2(S)/0.5(S)/5P/5P 0.2(S)/0.2(S)/5P/5P	10	15	30	25	15	540	42
200	25	62.5				40	30	30		
300-400	31.5	80								
500-600	63	130								
800-1200	80	160								
1500-2000	100	160		15	20					

注：如用户要求的参数超出上表范围，可与我公司协商后确定。

Note: If the required parameter is beyond the above range, it can be discussed and confirmed with us.

#### 外形及安装尺寸 Overall dimension drawing



户外互感器